

S1

Iridium™ Tracking Device

The S1 is an Iridium satellite tracking device that provides global coverage.

It is built on advanced intelligent sensor technology in a smart design, featuring long battery life, easy installation, and a robust casing.



Global Network



Long Battery Life



IP69K Rating



Position Sensor



Temperature Sensor

S1 is an Iridium satellite device is designed for use in the harshest environments and is ideal for businesses operating outside urban areas without GSM coverage.

S1 connects to the Iridium™ Global Network, the world's most reliable and far-reaching mobile satellite communications network, providing global coverage from pole to pole.

The IP69K-rated, moulded device operates in all weather conditions from -30°C to $+85^{\circ}\text{C}$.

This enables advanced applications such as tracking sea vessels, endangered species, expeditions, military operations, and air transportation.

S1 transmits data to our cloud-based Trusted Data Portal, providing full visibility and predictive analytics. Third-party applications can be integrated via API.

Battery life depends on the number of recorded positions and transmissions sent to the server.

For sea vessel tracking, 1 position per hour and 1 transmission per day typically provides up to 8 years of battery life, while a setting of 2 positions and 2 transmissions per day can extend it up to 10 years.

It can be quickly mounted to assets using four 4 mm screws.

Specifications

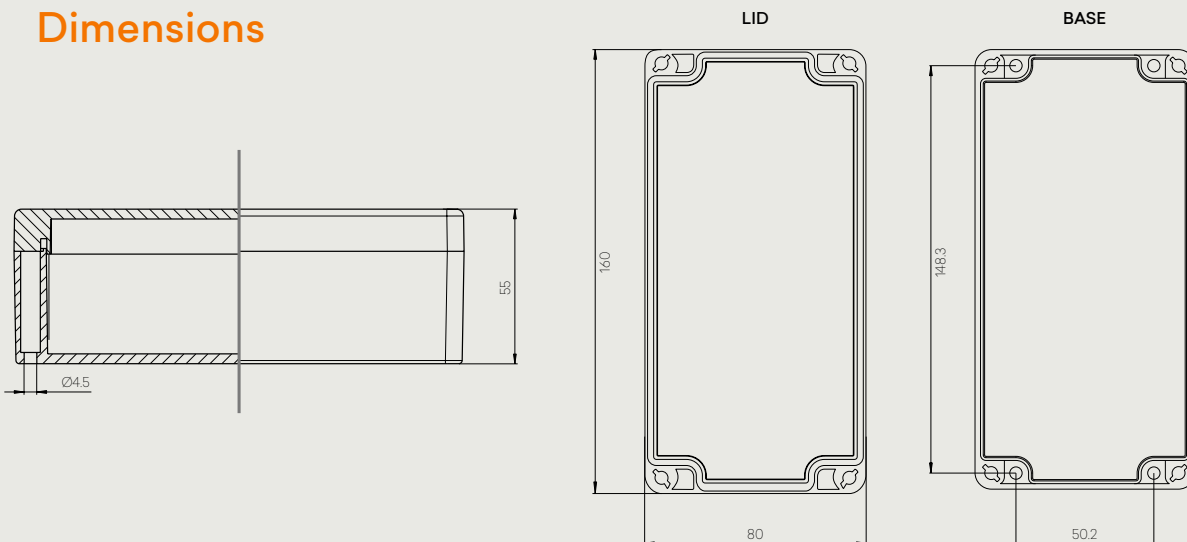
Battery Lifetime	Depending on number of positions and transmissions per day
Positions/Transmissions	1 to 24 per day
Sensors	Position, temperature
Network Technology	GPS Iridium satellite constellation
Iridium™ Antenna	Internal
GPS Antenna	Internal
SBD Data	Subscription required
Operating Temperature	-30 °C to +85 °C
Storage Temperature	Max. +30 °C (recommended)
Housing	ABS, molded with epoxy
IP Rating	IP69K
Max. Continuous Acceleration	8 g
Dimensions	160 x 80 x 55 mm
Weight	730 g
Batteries	94 Wh primary lithium (encapsulated)
Lithium Content	7.6 g
HS (TARIC) Code	8526 91 XX XX**
Country of Origin	Made in Denmark

Typical Lifetime*			
Interval	Positions	Transmissions	Years
1 position per hour, 1 transmission per day	70,000	2,900	8
1 position every 12 hrs, 1 transmission every 12 hrs	8,000	8,000	10
1 position every 24 hrs, 1 transmission every 24 hrs	7,000	7,000	+15

* Depending on signal and temperature conditions

** Last 2-4 digits vary outside the EU. Find HS code for your region on the EU webpage Access2Markets: <https://trade.ec.europa.eu/access-to-markets/>

Dimensions



Version 1.1 – Feb 2026 | Subject to change without notice.