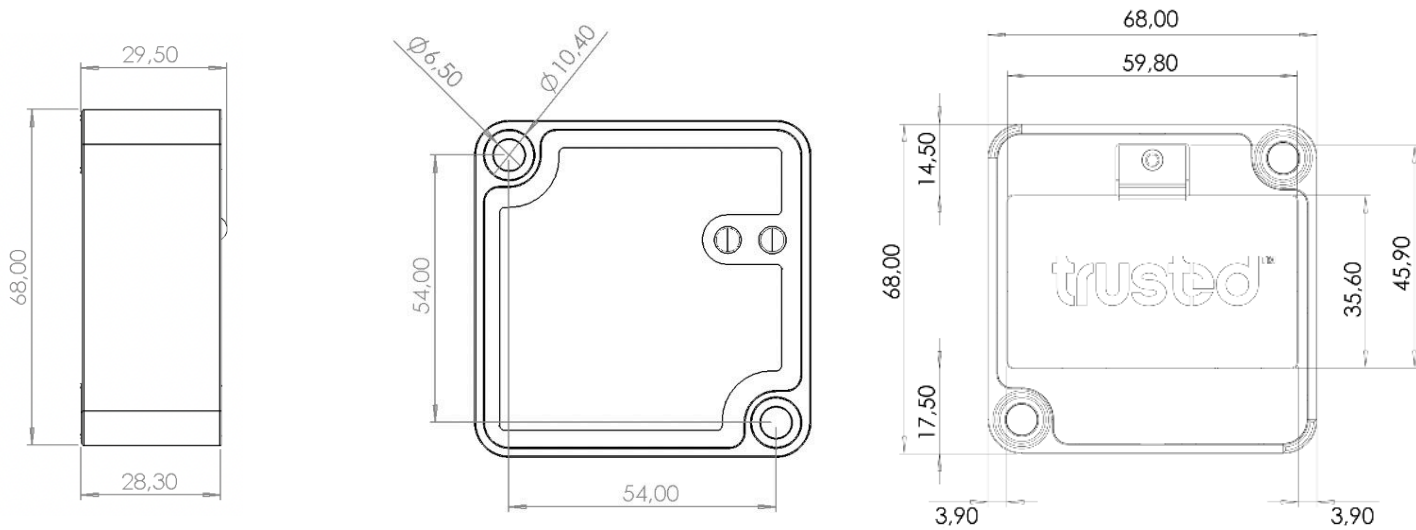


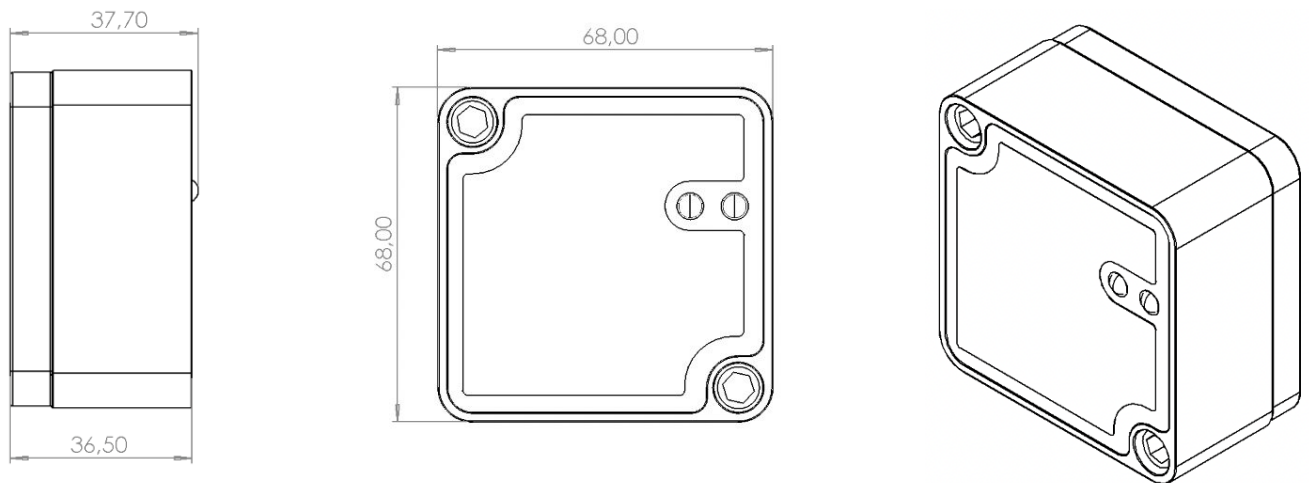
T1 version

Mechanical specifications

All measurements in millimetres (mm)



With attached magnet



T1 version

Mechanical specifications of accessories (sold separately)

All measurements in millimetres (mm)

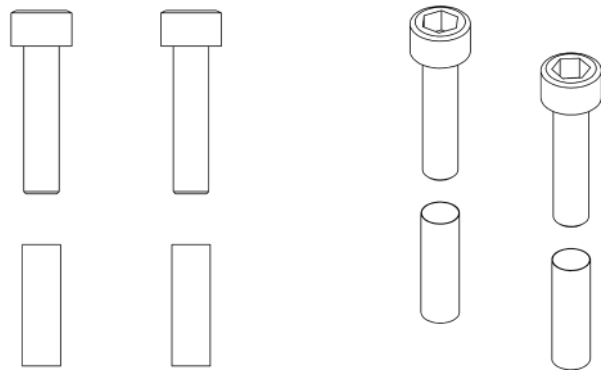
Mounting kit

Screws

Stainless, M6 x 25 mm, unbraco

Bushings

6,5 mm x 0,2 mm x 20,5 mm



Magnet kit

Dimensions

67,2 mm x 67,2 mm x 8,5 mm

Weight

156 gram

Magnet strength

200N

Maximum torque moment

3 Nm

(Magnet kit includes screws and bushings).

