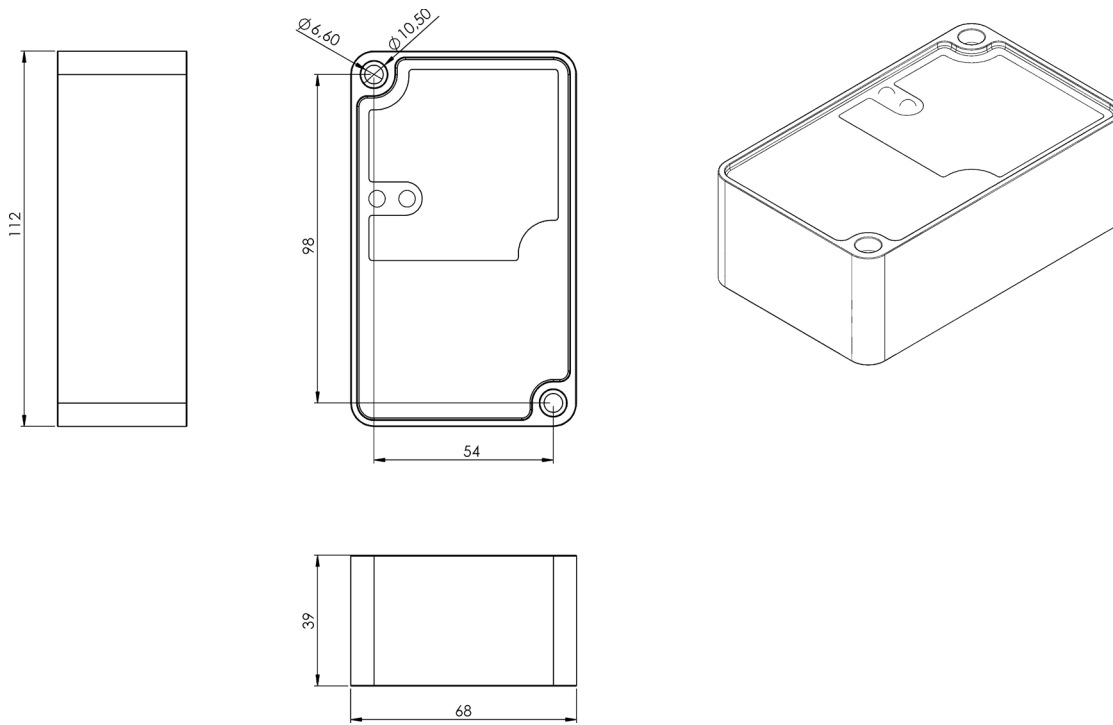


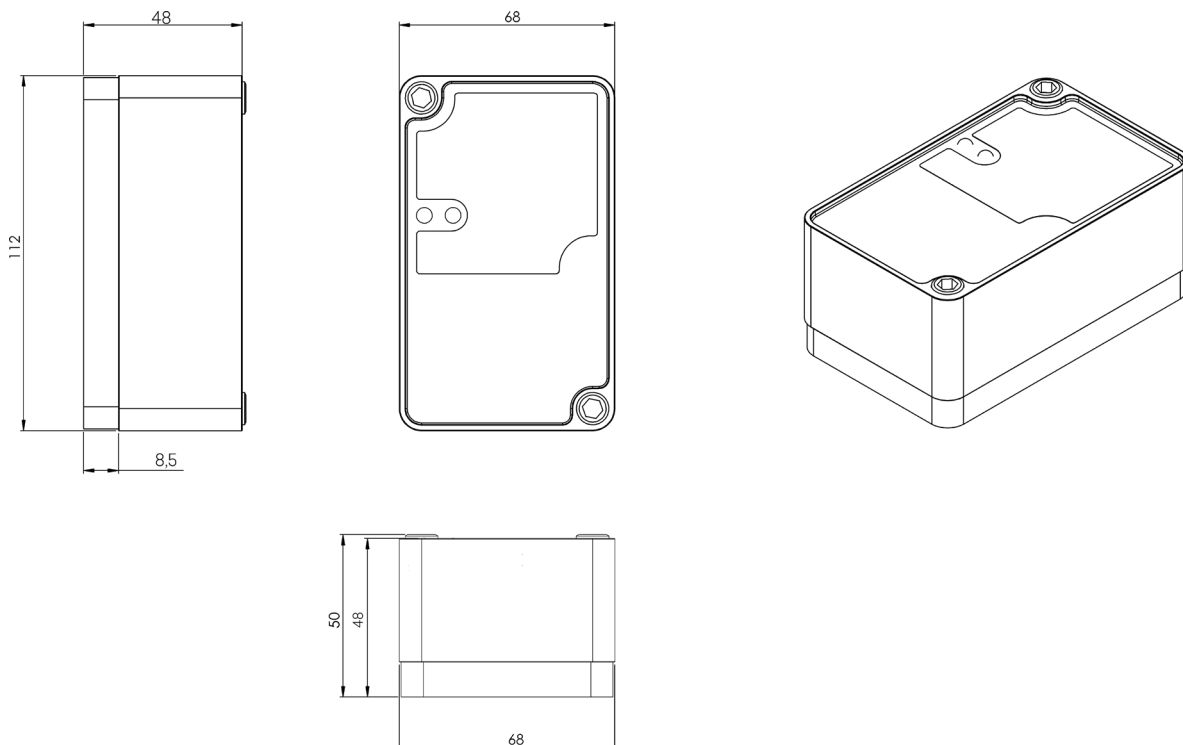
# T9 devices

## Mechanical specifications

All measurements in millimetres (mm)



## With attached magnet



# T9 devices

## Mechanical specifications of accessories (sold separately)

All measurements in millimetres (mm)

### Mounting kit

#### Screws

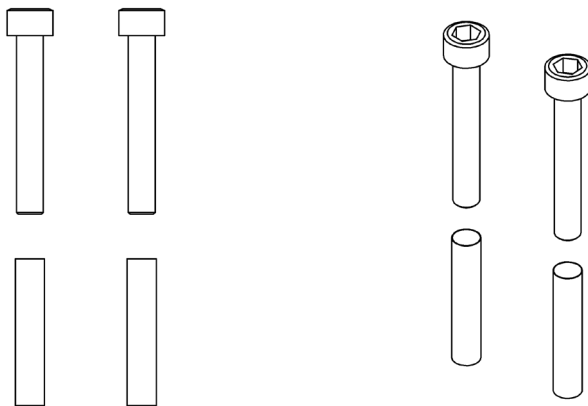
Stainless, M6x40 mm, unbraco

#### Washers

6.0 mm

#### Bushings

6,5 x 0,2 x 32,8 mm



### Magnet kit

#### Dimensions

110,8 mm x 66,8 mm x 8,5 mm

#### Weight

259 gram

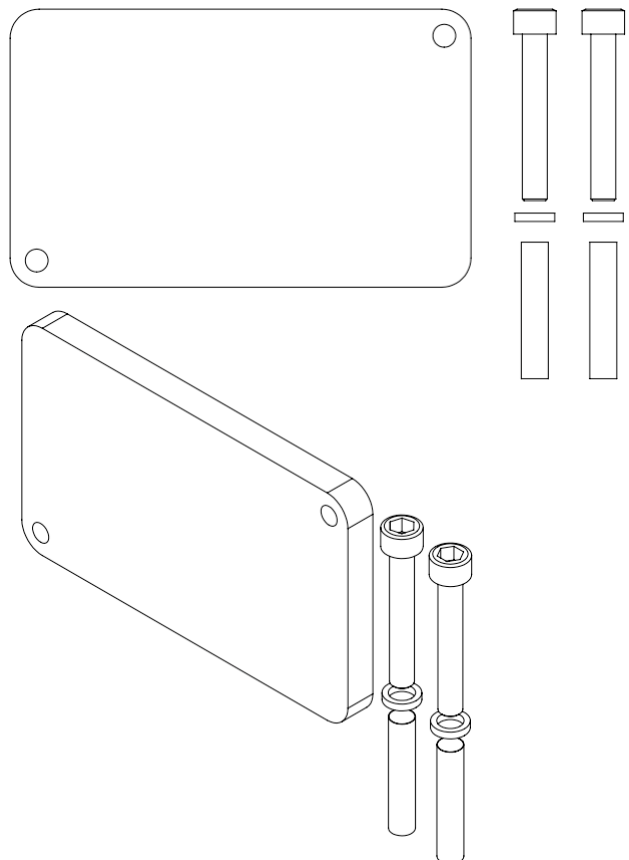
#### Magnet strength

350N

#### Maximum torque moment

3 Nm

(Magnet kit includes screws and bushings).



Version 1.1 – Subject to change without notice.