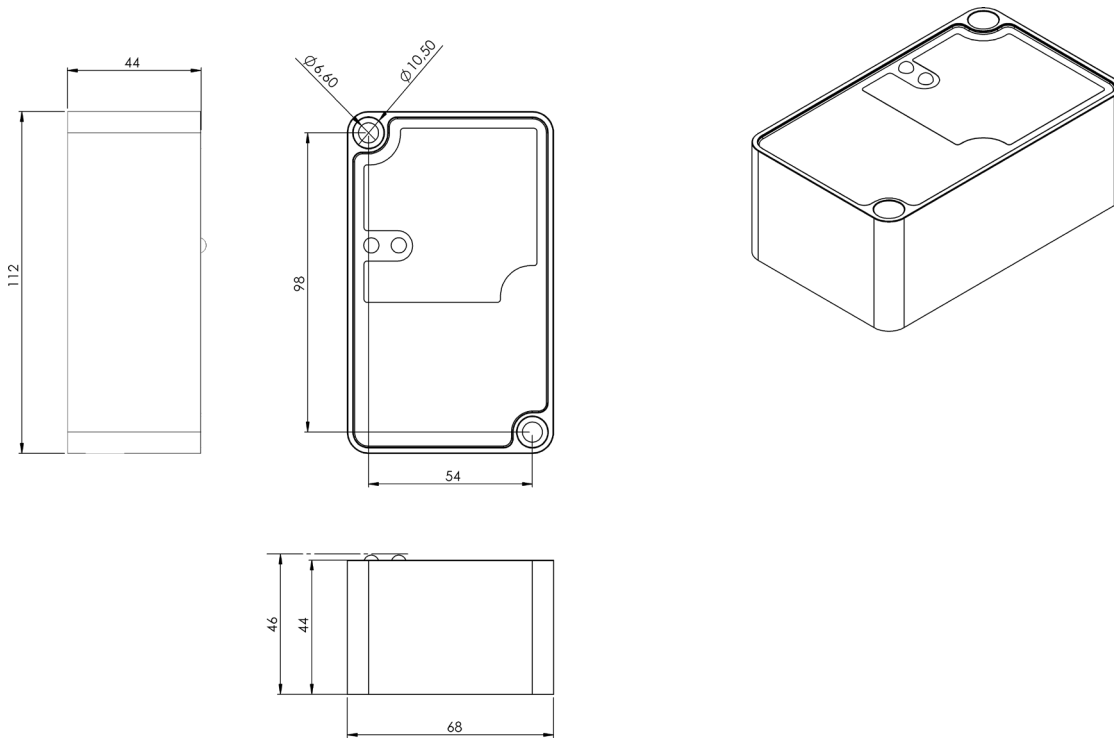


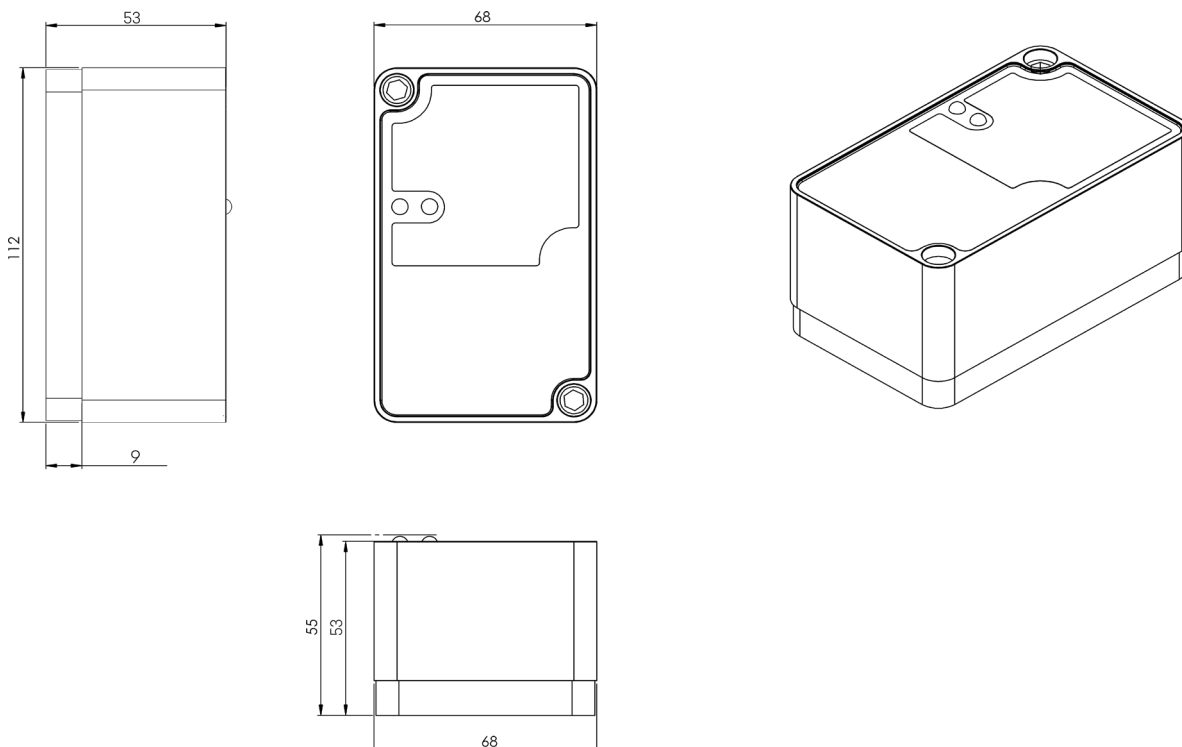
T10 devices

Mechanical specifications

All measurements in millimetres (mm)



With attached magnet



T10 devices

Mechanical specifications of accessories (sold separately)

All measurements in millimetres (mm)

Mounting kit

Screws

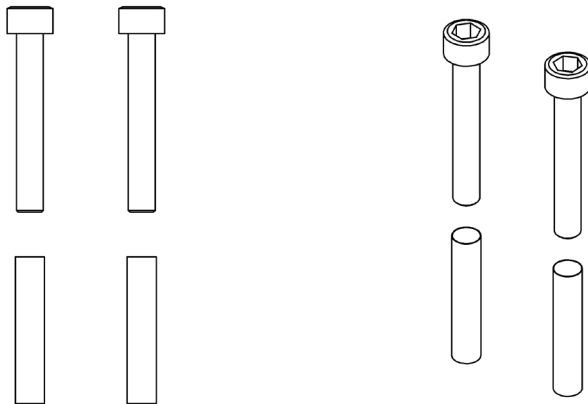
Stainless, M6 x 40 mm, unbraco

Washers

6.0 mm

Bushings

6,5 mm x 0,2 mm x 34 mm



Magnet kit

Dimensions

110,8 mm x 66,8 mm x 8,5 mm

Weight

259 gram

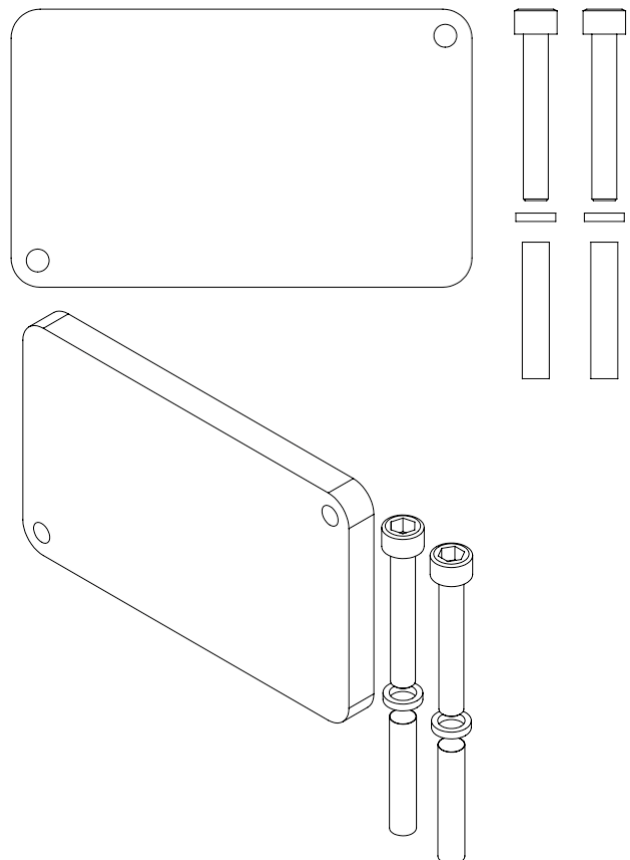
Magnet strength

350N

Maximum torque moment

3 Nm

(Magnet kit includes screws and bushings).



Version 1.1 – Subject to change without notice.