

# Magnet kit

## Small kit

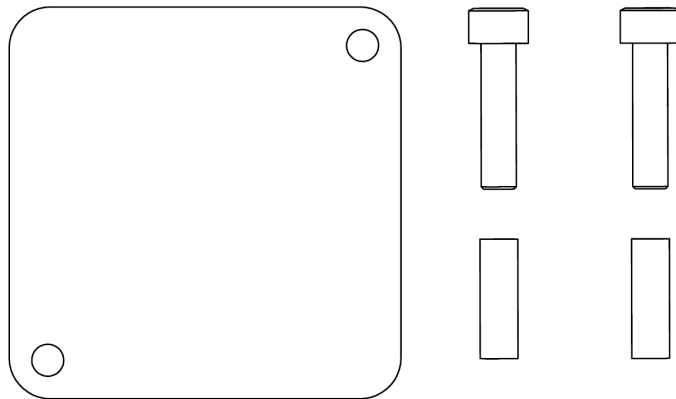
Specification sheet (ITEM NUMBER: 00035-037)

### Dimensions

67,2 mm x 67,2 mm x 8,5 mm

### Weight

156 gram



### Mounting screws and bushings

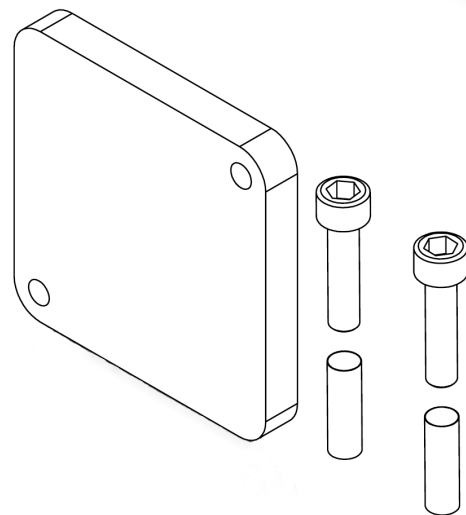
2x Stainless, M6 x 25 mm, unbraco  
T7 bushings: 6,5 mm x 0,2 mm x 18,8 mm  
T8 bushings: 6,5 mm x 0,2 mm x 20,5 mm

### Magnet strength

200N

### Maximum torque moment

3 Nm



### Mounting instructions

Use the enclosed screws, bushings and washers to attach magnet to the tracker.