

Magnet kit

Small kit

Specification sheet (ITEM NUMBER: 00035-038)

Dimensions

110,8 mm x 66,8 mm x 8,5 mm

Weight

259 gram

Mounting screws and bushings

2x Stainless M6 x 40 mm, unbraco

2x washers

T9 bushings: 6,5 mm x 0,2 mm x 32,8 mm

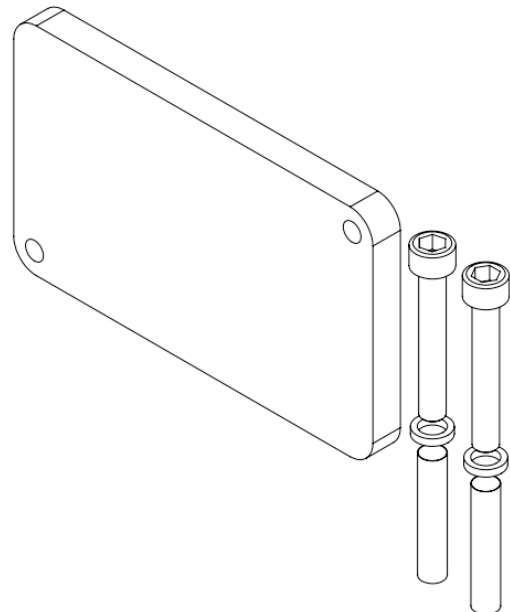
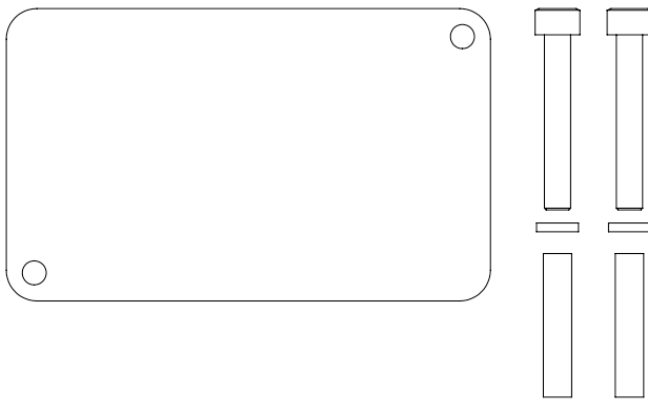
T10 bushings: 6,5 mm x 0,2 mm x 34,0 mm

Magnet strength

350N

Maximum torque moment

3 Nm



Mounting instructions

Use the enclosed screws, bushings and washers to attach magnet to the tracker.

Version 1.6 - Subject to change without notice.