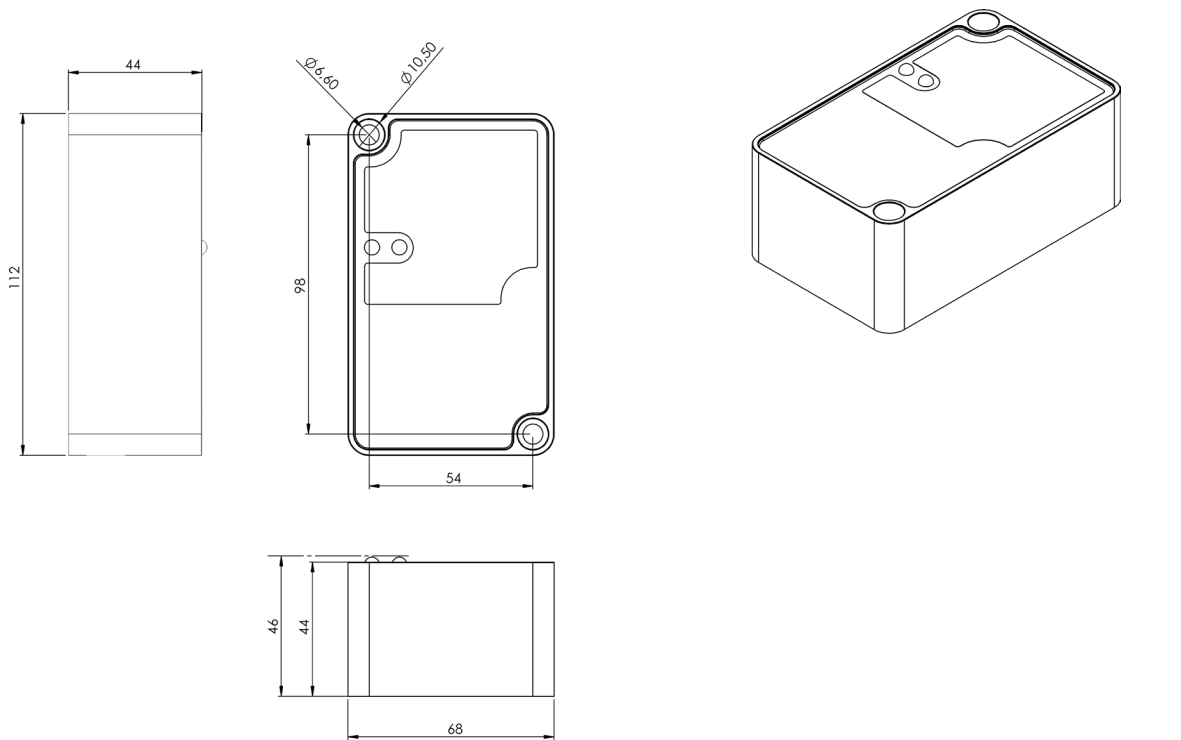


T10 series

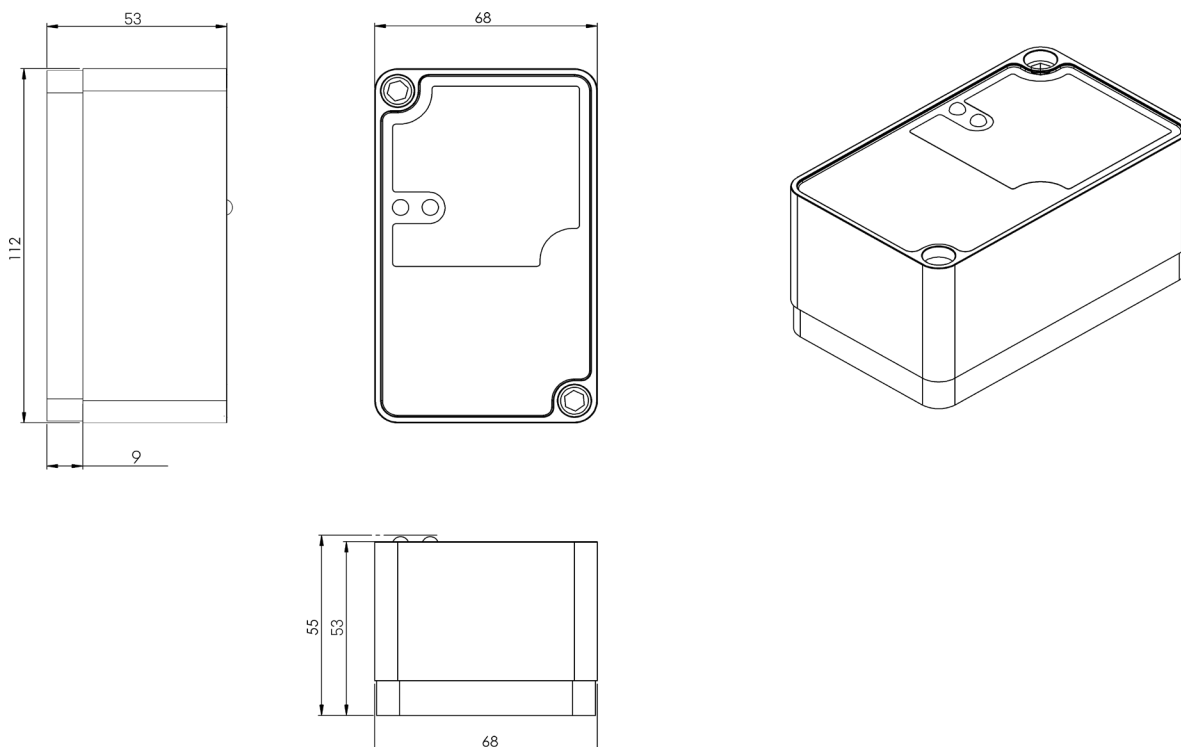


Mechanical specifications

All measurements in millimetres (mm)



With attached magnet



T10 series



Accessories

Sold separately

Mounting kit

Screws

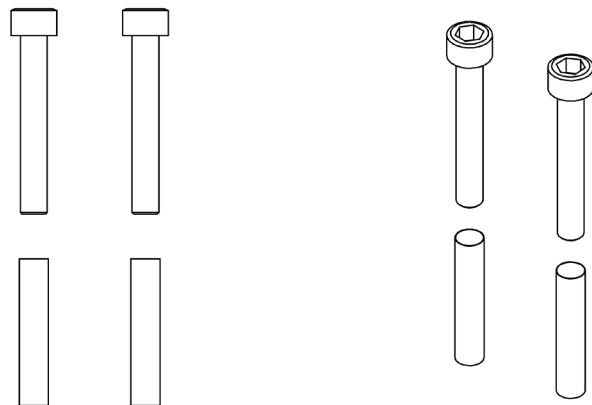
Stainless, M6x40 mm, unbraco

Washers

6.0 mm

Bushings

6,5 x 0,2 x 34 mm



Magnet kit

Dimensions

111 mm x 67 mm x 9 mm

Weight

600 gram

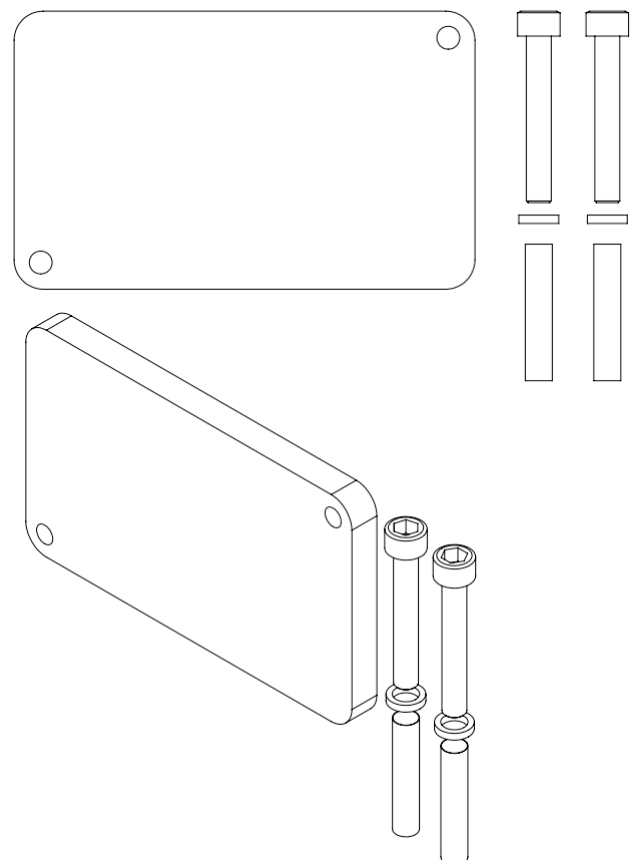
Magnet strength

350N

Maximum torque moment

3 Nm

(Magnet kit includes screws and bushings).



Version 1.0 – Subject to change without notice.