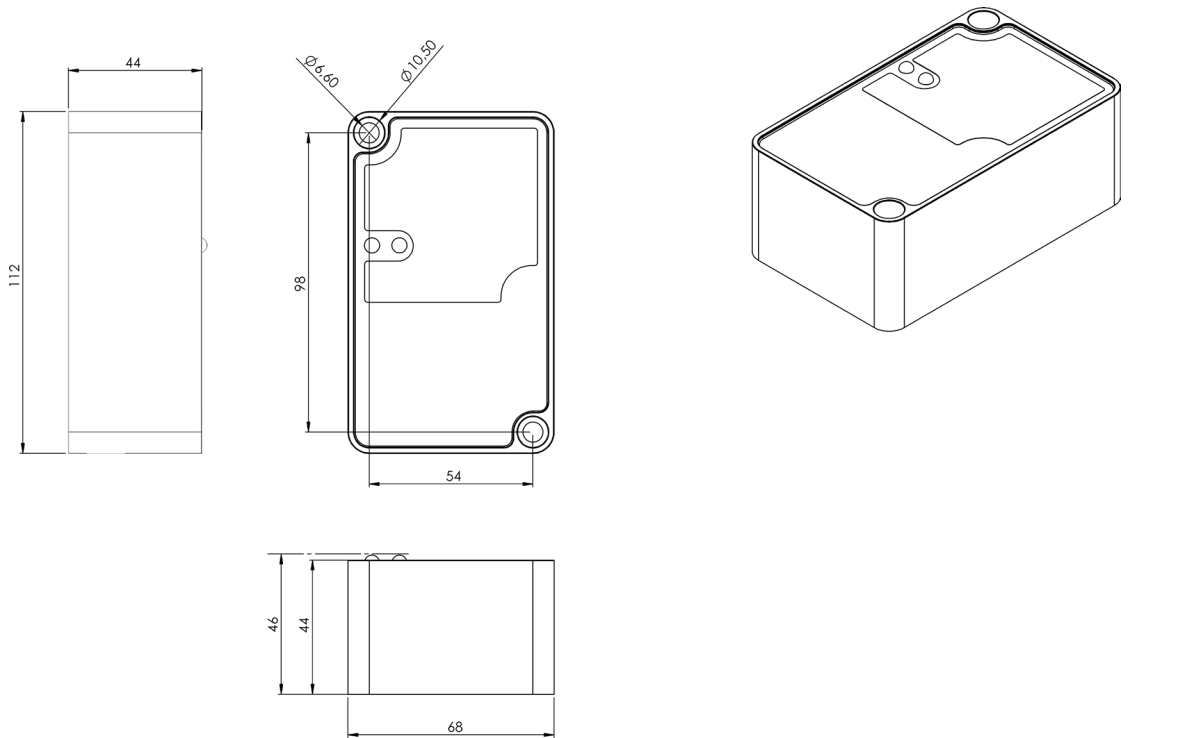


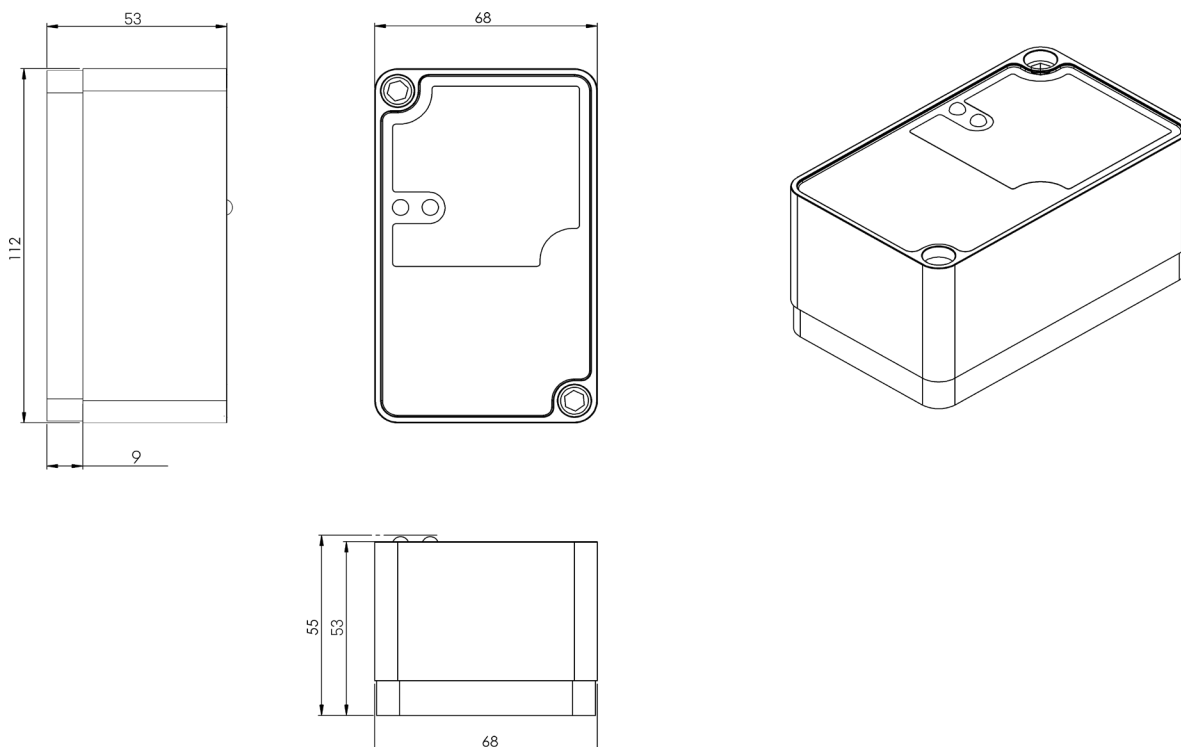
# S1

## Mechanical specifications

All measurements in millimetres (mm)



## With attached magnet



# S1

## Accessories

Sold separately

### Mounting kit

#### Screws

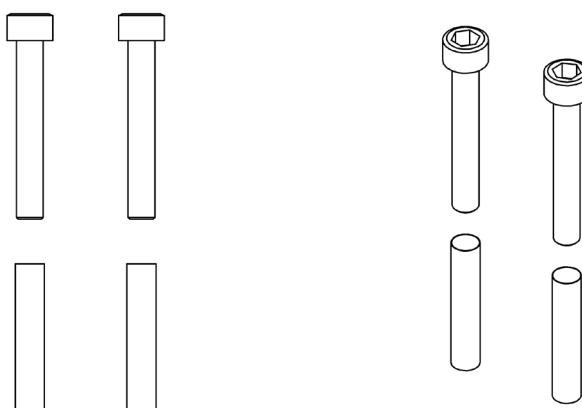
Stainless, M6x40 mm, unbraco

#### Washers

6.0 mm

#### Bushings

6,5 x 0,2 x 34 mm



### Magnet kit

#### Dimensions

111 mm x 67 mm x 9 mm

#### Weight

600 gram

#### Magnet strength

350N

#### Maximum torque moment

3 Nm

(Magnet kit includes screws and bushings).

