

# Magnet kit



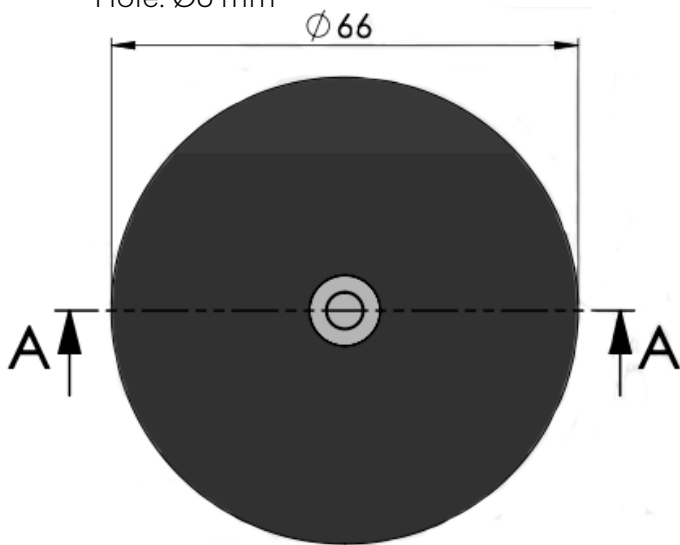
## Round kit

### Specification sheet

#### Dimensions

Magnet:  $\text{Ø}66 \times 8 \text{ mm}$

Hole:  $\text{Ø}6 \text{ mm}$

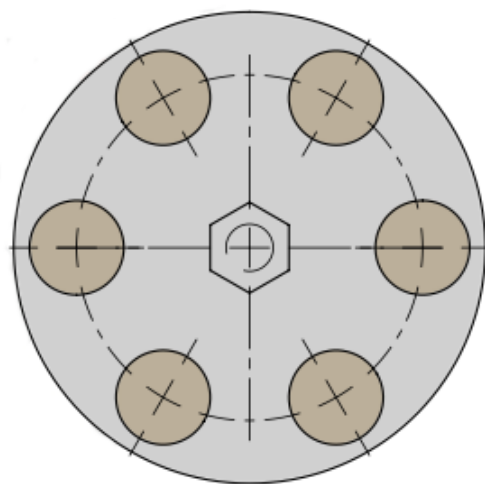
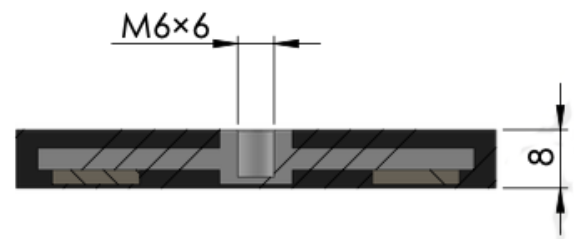


#### Mounting screws

Stainless, M6x30 mm, unbraco

#### Maximum torque moment

3 Nm



#### Mounting instructions

Use the enclosed screws,  
to attach magnets to the tracker.

#### Material 1:

NdFeB

#### Material 2:

StNi

#### Coating:

EPDM